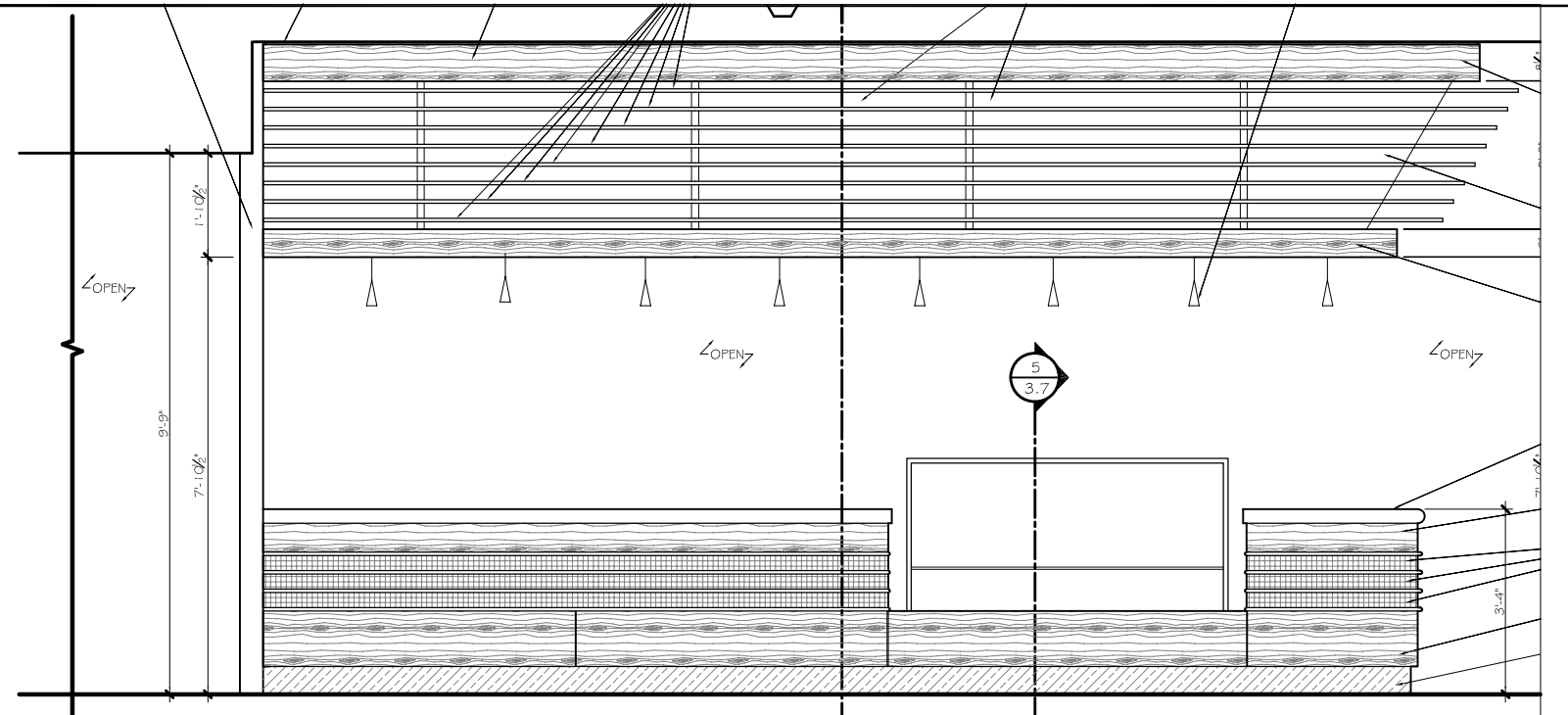
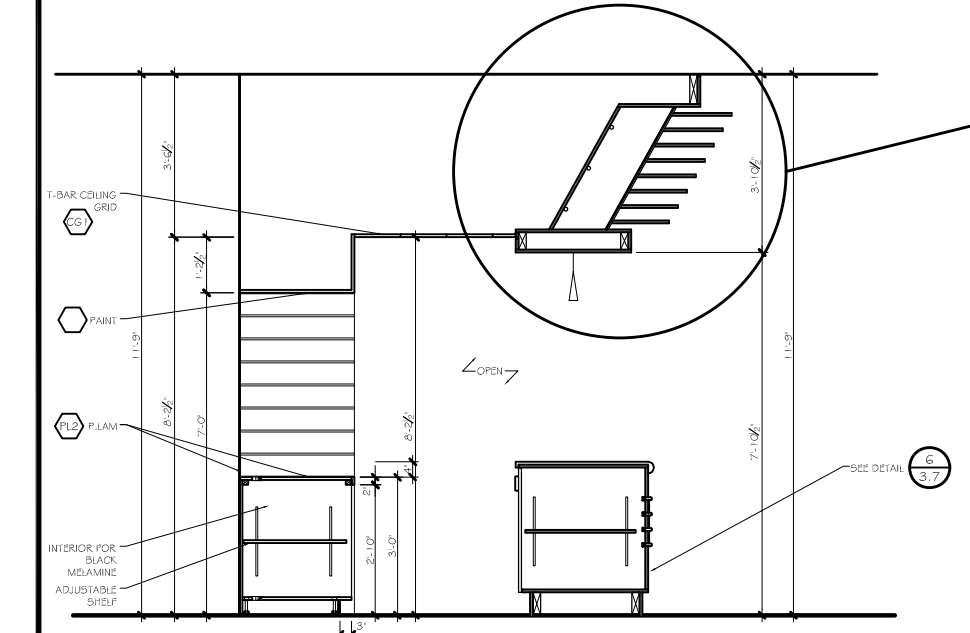


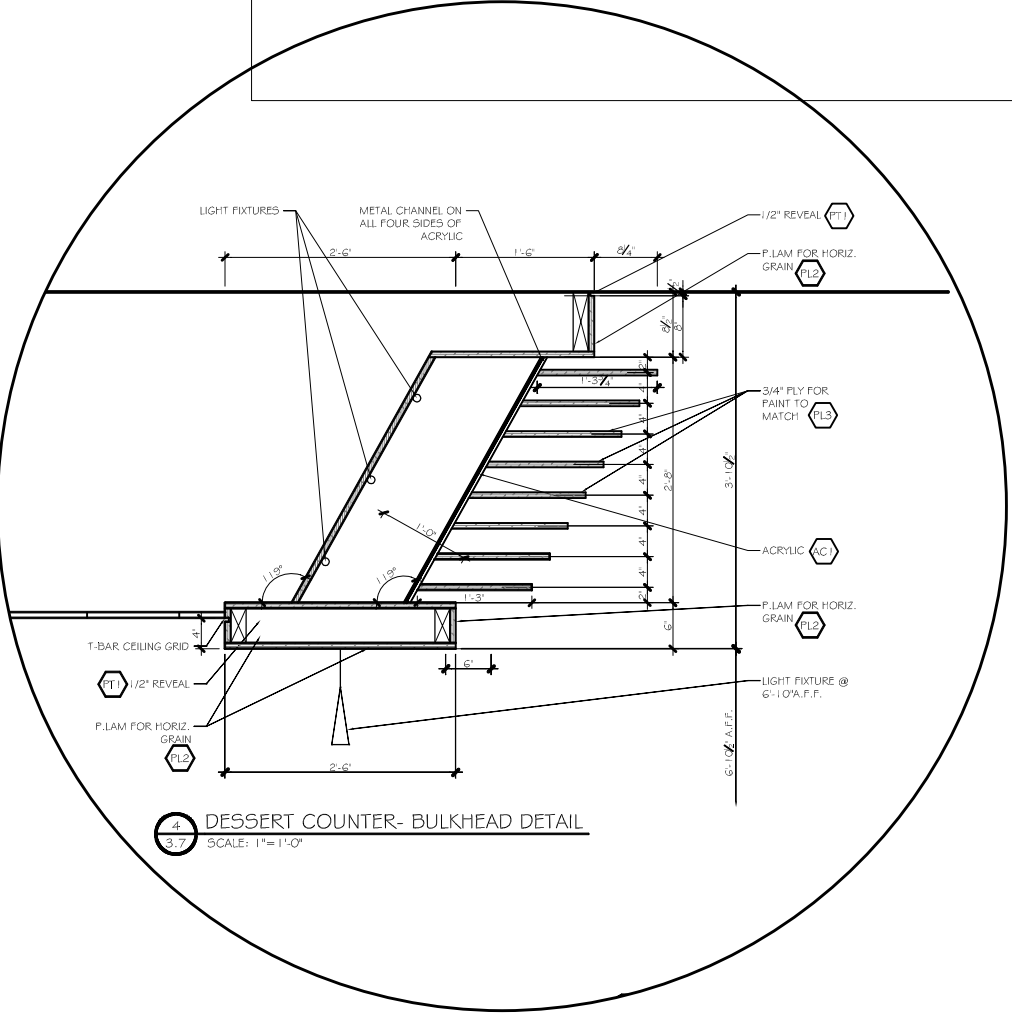
1 TAKE-OUT COUNTER- ELEVATION
2.3 SCALE: 1/2"=1'-0"



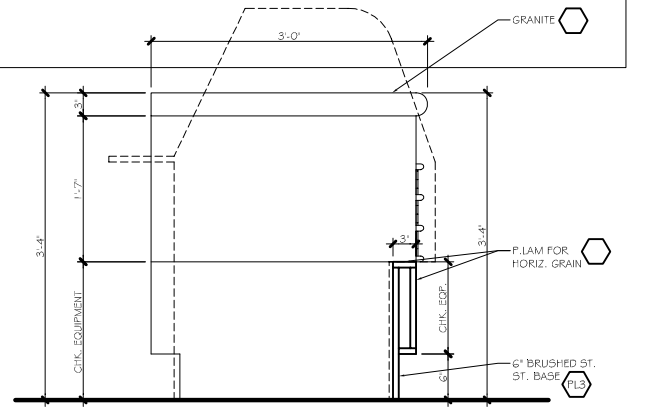
2 TAKE-OUT COUNTER- SIDE ELEVATION
2.2 SCALE: 1/2"=1'-0"



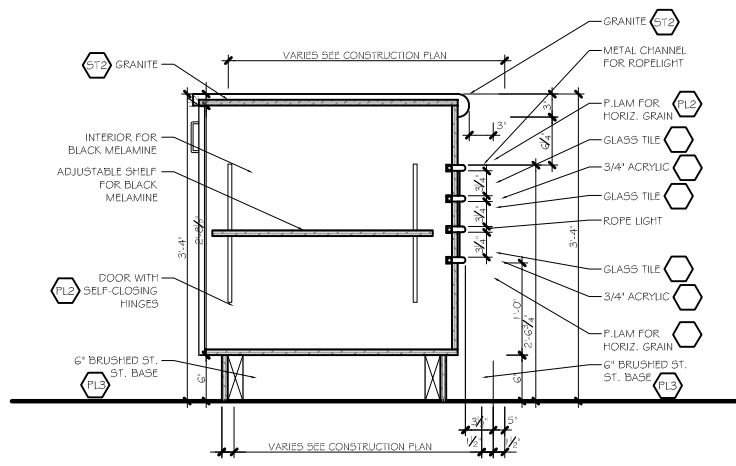
3 TAKE-OUT COUNTER- SECTION
3.7 SCALE: 1/2"=1'-0"



4 DESSERT COUNTER- BULKHEAD DETAIL
3.7 SCALE: 1"=1'-0"



5 TAKE-OUT COUNTER- DETAIL
3.7 SCALE: 1"=1'-0"



6 TAKE-OUT COUNTER- DETAIL
3.7 SCALE: 1"=1'-0"